



## TECHNICAL INFORMATION

# Piston Seals | Piston U-Cup PUA

### Description

The U-Cup is a single acting piston seal out of injection molded polyurethane. It is provided with a robust dynamic sealing lip and a wide contact area of the static lip, which guarantees an effective positioning in the groove. The profile is

suitable for pressures up to 40 MPa provided that the extrusion gap is adapted to the pressure level. Thanks to the elasticity of the polyurethane material the U-Cup can easily be installed in closed grooves.

### Advantages

- Simple groove design
- High abrasion resistance
- Long service life
- Effective sealing effect even with sub-optimal mating surface finish



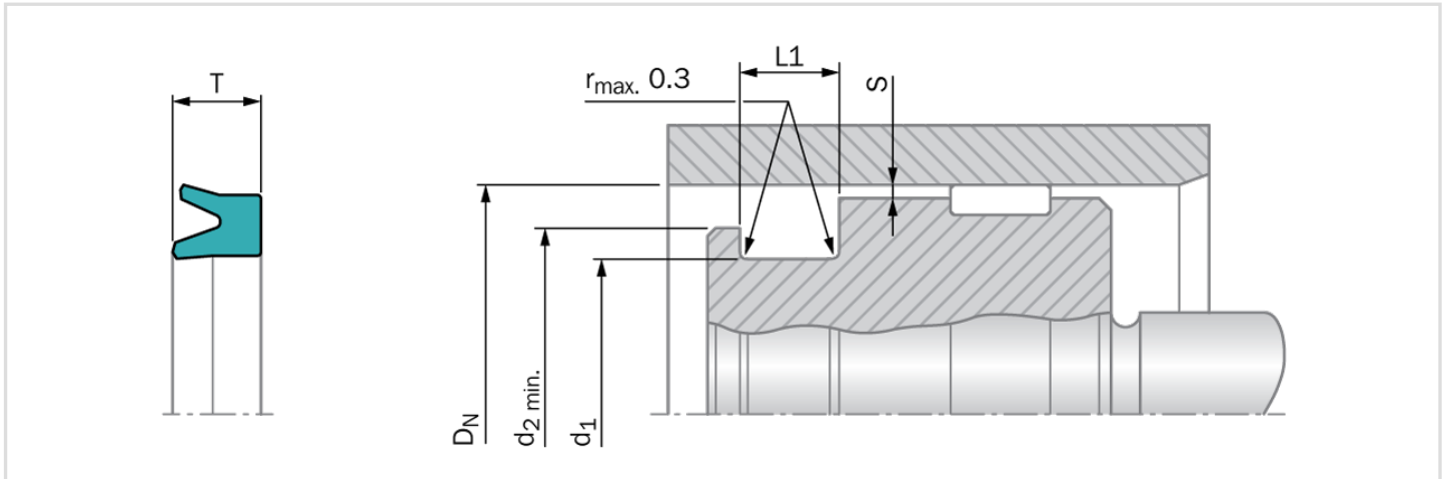
### Technical Data

Pressure	: Up to 40 MPa
Speed	: Up to 0.5 m/s
Temperature	: -30 °C to +110 °C
Media	: Mineral oil based hydraulic fluids
Clearance	: The maximum permissible radial clearance $S_{max}$ is shown in the following Clearance table as a function of the operating pressure and functional diameter.



## TECHNICAL INFORMATION

### Piston Seals | Piston U-Cup PUA



#### Radial Clearance S

Operating Pressure MPa	Radial Clearance $S_{max}$	
	$d_N < 60 \text{ mm}$	$d_N > 60 \text{ mm}$
5	0.40	0.50
10	0.30	0.40
20	0.20	0.30
30	0.15	0.20
40	0.10	0.15

#### Important Note

Installation suggestions, material recommendations, parameters and further data provided are always subject to the particular field of use and the application in which the seal is intended to be used, in particular the interaction of the seal with other components of the application. Therefore they neither constitute an agreement on the legal and factual nature nor a guarantee of quality. Technical changes and errors remain reserved.